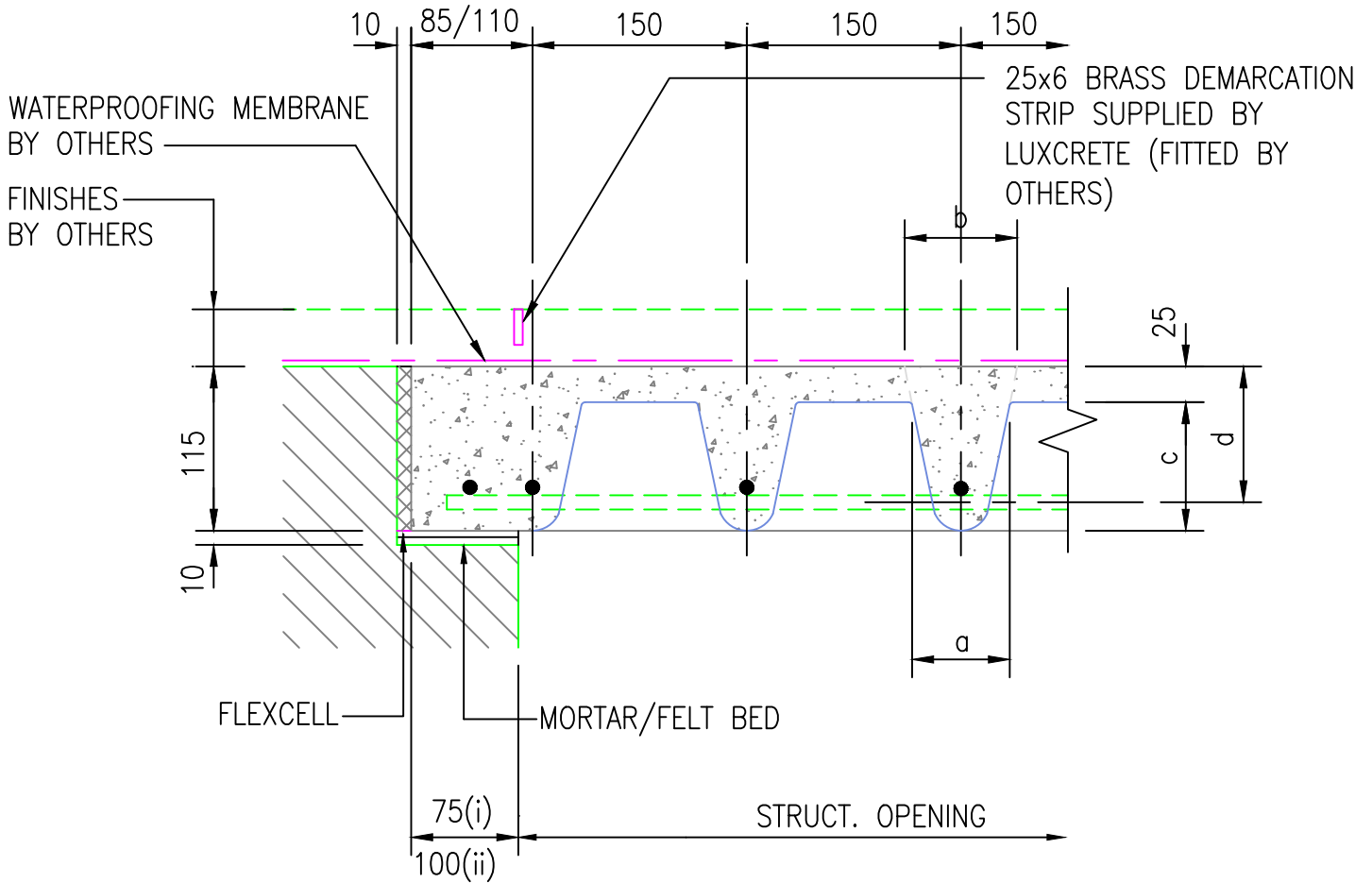


# SG150/115



## TYPICAL EDGE/CROSS SECTION

### SUPERIMPOSED LOADING

- 5KN/m<sup>2</sup> – 3.050m Max. CLEAR SPAN (i)
- 10KN/m<sup>2</sup> – 2.710m Max. CLEAR SPAN (i)
- 20KN/m<sup>2</sup> – 1.950m Max. CLEAR SPAN (i)

### CONCENTRATED LOADING

- 75KN ULTIMATE – 1.500m Max. CLEAR SPAN (ii)
- SELF WEIGHT = 190kgs/m<sup>2</sup>

FOR DIMENSIONS 'a', 'b', 'c' and 'd' PLEASE REFER TO THE RELEVANT DESIGN CRITERIA DETAIL SHEET Nos. PL-SPAN1 to 9 inc.

# luxcrete

LIMITED

Unit 2 Firbank Industrial Estate  
Dallow Road Luton  
Bedfordshire  
LU1 1TW

T:01582 488767  
F:01582 724607  
www.luxcrete.co.uk  
E:enquiries@luxcrete.co.uk

LUXCRETE OPERATE A POLICY OF CONTINUAL IMPROVEMENT OF THEIR PRODUCTS. SPECIFICATIONS AND DETAILS ARE THEREFORE SUBJECT TO CHANGE WITHOUT NOTICE. ALL TECHNICAL INFORMATION CONTAINED WITHIN THIS DETAIL SHEET IS FOR GUIDANCE ONLY AND MAY BE INAPPROPRIATE UNDER PARTICULAR CONDITIONS.



2011 COPYRIGHT LUXCRETE LTD