

## LUXCRETE FLOOR LIGHTS AND ROOF LIGHTS

Luxcrete Floor Lights and Roof Lights provide excellent diffused daylight transmission, sound and thermal insulation. Single or double glazed constructions are available using either solid pressed glass lenses or load bearing hermetically sealed hollow glass roofing blocks.

### Construction

Luxcrete Floor Lights and Roof Lights can be supplied as pre-cast units either to be fixed by the general contractor or by Luxcrete. Alternatively, they can be cast on site. In situ roof lights are usually cast with a nominal camber in the short direction to offset deflection and to provide a fall for rain water. Where the roof lights are fixed to a raised kerb, the perimeter has a weathered and throated over sail. Luxcrete Roof Lights can be made to be removable for Pumping Stations, Electricity Sub-Stations etc to allow, for example, access to and removal and replacement of machinery.

### Floor lights and Walkways

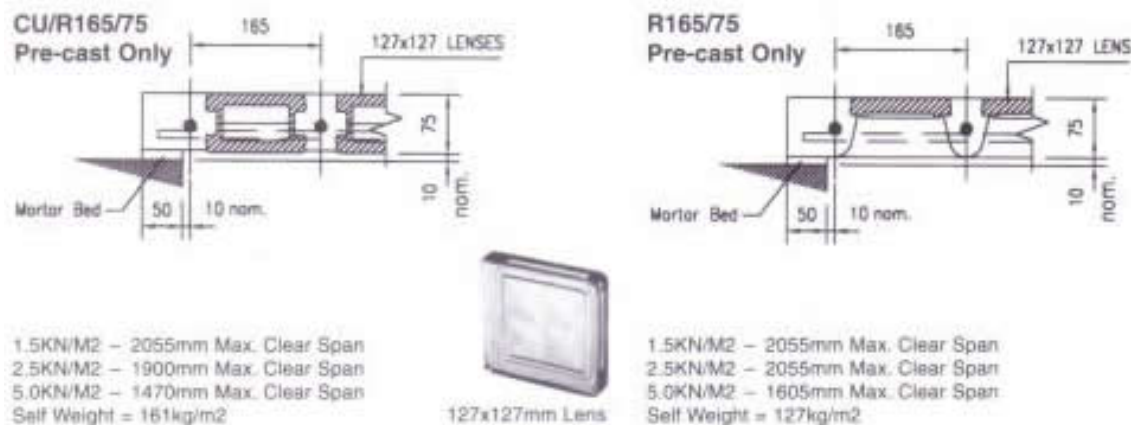
Luxcrete Roof Lights are eminently suitable for internal use a Floor Lights or Glazed Walkways. Basement areas can be opened up for imaginative and productive uses or natural lighting can be provided through the various floor levels of a building. Where our construction is to be used as a Floor Light we recommend, in the interest of safety, that an area of the top surface of the glass is sandblasted and finished with a polymer coating, to provide increased slip resistance.

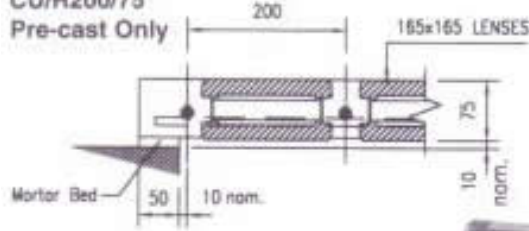
### Options

Luxcrete Floor Lights and Roof Lights can be manufactured to suit most shapes, including square, rectangular, circular or triangular. Balconies, Porticos and Canopies are other examples of the wide range of uses for Luxcrete Roof Lights within a building. Loadings and spans are detailed under the respective constructions but even larger openings can be accommodated.

### Security

Luxcrete Roof Lights are ideal where security is important. They act as a deterrent to forcible entry or escape. Various methods for securely fixing down roof lights are available, including security fixings, subject to the specific details of the construction.

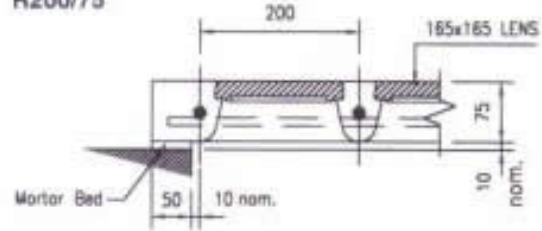


**CU/R200/75**  
 Pre-cast Only


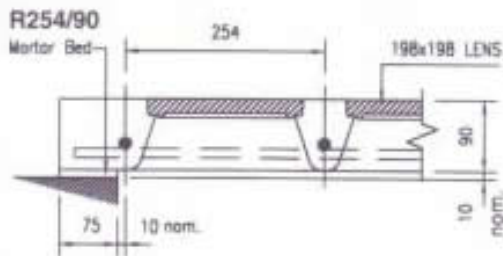
1.5KN/M<sup>2</sup> – 2000mm Max. Clear Span  
 2.5KN/M<sup>2</sup> – 1720mm Max. Clear Span  
 5.0KN/M<sup>2</sup> – 1330mm Max. Clear Span  
 Self Weight = 156kg/m<sup>2</sup>



165x165mm Lens

**R200/75**


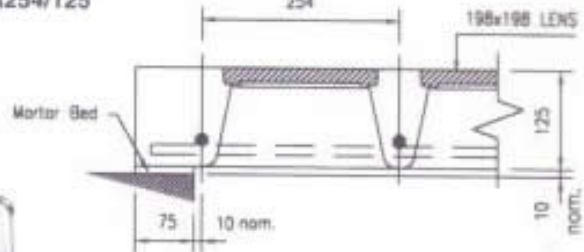
1.5KN/M<sup>2</sup> – 2055mm Max. Clear Span  
 2.5KN/M<sup>2</sup> – 1850mm Max. Clear Span  
 5.0KN/M<sup>2</sup> – 1420mm Max. Clear Span  
 Self Weight = 127kg/m<sup>2</sup>



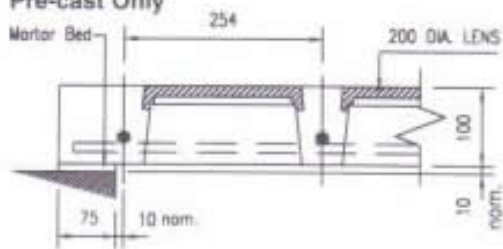
1.5KN/M<sup>2</sup> – 1850mm Max. Clear Span  
 2.5KN/M<sup>2</sup> – 1750mm Max. Clear Span  
 5.0KN/M<sup>2</sup> – 1500mm Max. Clear Span  
 Self Weight = 150kg/m<sup>2</sup>



198x198mm Lens  
 (Prismatic illustrated,  
 Also available Satina).

**R254/125**


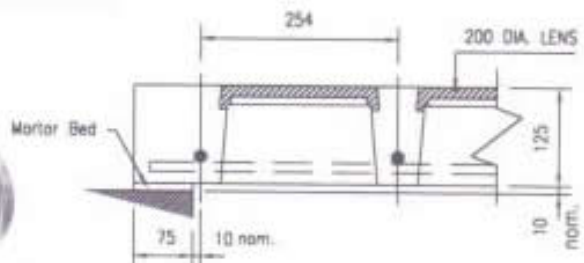
1.5KN/M<sup>2</sup> – 3375mm Max. Clear Span  
 2.5KN/M<sup>2</sup> – 3340mm Max. Clear Span  
 5.0KN/M<sup>2</sup> – 2640mm Max. Clear Span  
 Self Weight = 186kg/m<sup>2</sup>

**RC254/100**  
 Pre-cast Only


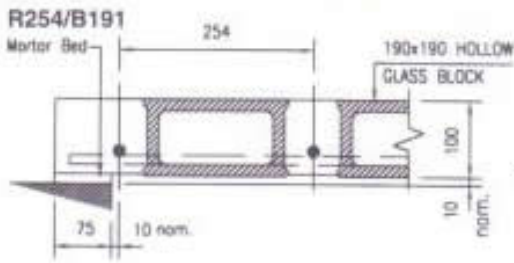
1.5KN/M<sup>2</sup> – 2250mm Max. Clear Span  
 2.5KN/M<sup>2</sup> – 2000mm Max. Clear Span  
 5.0KN/M<sup>2</sup> – 1750mm Max. Clear Span  
 Self Weight = 165kg/m<sup>2</sup>



200mm Diameter Lens  
 Available clear/white, blue  
 and mango colours.  
 Satina pattern in  
 clear/white is illustrated.

**RC254/125**


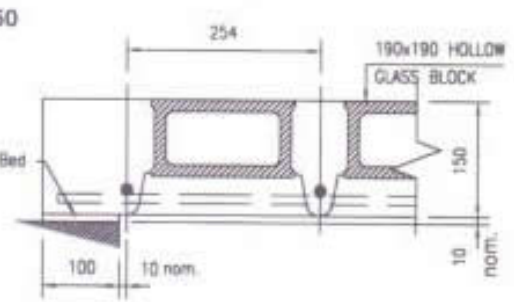
1.5KN/M<sup>2</sup> – 3375mm Max. Clear Span  
 2.5KN/M<sup>2</sup> – 3200mm Max. Clear Span  
 5.0KN/M<sup>2</sup> – 2560mm Max. Clear Span  
 Self Weight = 202kg/m<sup>2</sup>



1.5KN/M<sup>2</sup> – 2600mm Max. Clear Span  
 2.5KN/M<sup>2</sup> – 2600mm Max. Clear Span  
 5.0KN/M<sup>2</sup> – 2060mm Max. Clear Span  
 Self Weight = 173kg/m<sup>2</sup>



190x190mm Hollow  
 Glass Blocks (also  
 available clear)



1.5KN/M<sup>2</sup> – 4050mm Max. Clear Span  
 2.5KN/M<sup>2</sup> – 3960mm Max. Clear Span  
 5.0KN/M<sup>2</sup> – 3190mm Max. Clear Span  
 Self Weight = 239kg/m<sup>2</sup>